



NATIONAL TEST CERTIFICATE
(ABP)

LINEAR LINE[®]

Labor für Stahl- und Leichtmetallbau GmbH

(Laboratory for steel and light-metal construction)

Management: Prof. Dr. - Ing. Ö. Bucak

at the Munich University

Faculty 02 Civil Engineering / Steel Construction

Karlstraße 6, 80333 München

Tel.: 0049/ (0)89/ 1265- 2611; Fax 0049/ (0)89/ 1265- 2699; Email: info@laborsl.de



Bay 27

National Test Certificate

on the usability of a construction product

Test certificate number: P-2014-3038

Subject: point-mounted laminated safety glazing in conformance to Construction Products List A Part 3 – Edition 2014/1
Type of construction in conformance to seq. no. 2.12

System: LINEAR LINE

Intended use: Fall prevention in conformance to TRAV (technical rules for the use of safety barrier glazing)

Safety barrier category: C1

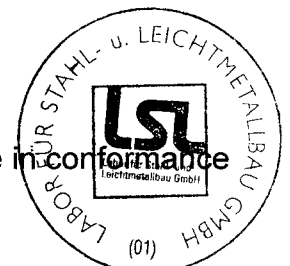
Applicant: Q-railing Europe GmbH & Co. KG
Marie-Curie-Straße 8 - 14
46446 Emmerich am Rhein

Date of issue: 22 July 2014

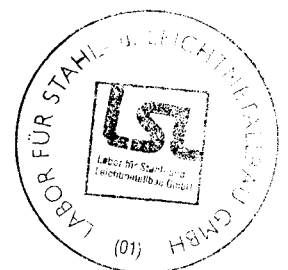
Period of validity: until 21 July 2019

On the basis of this National Test, the above-designated subject is usable in conformance to the Bavarian state building regulations.

This National Test Certificate comprises 7 Pages and 11 annexes.



I.	General Provisions	3
II.	Special Provisions	3
1	Subject and Field of Application.....	3
1.1	Subject.....	3
1.2	Field of Application.....	3
2	Requirements Set for the Type of Construction	4
2.1	Description of the Design	4
2.2	Applicable Test Procedures	4
2.3	Use, Maintenance and Repair.....	5
3	Field of Application and Dimensioning Provisions.....	5
3.1	Field of Application.....	5
4	Certificate of Conformity	5
4.1	General Points.....	5
4.2	Production Control.....	5
5	Other Applicable Provisions	6
III.	Legal Basis.....	7
IV.	Instructions about Available Legal Remedies.....	7



General Provisions

1. The National Test Certificate does not replace the approvals, consents and certificates which are legally required for conducting construction projects.
2. The National Test Certificate is issued without prejudice to third-party rights, in particular private property rights.
3. The manufacturer of this type of construction must, notwithstanding more extensive rules in the "Special Provisions", provide the user of this type of construction with copies of the National Test Certificate and point out that a copy of the same must be kept available at the site of use. On request, copies of the National Test Certificate must be made available to the authorities involved.
4. The National Test Certificate may be duplicated only in its entirety. Publication of excerpts shall require the approval of Labor für Stahl- und Leichtmetallbau GmbH. Texts and drawings in promotional literature must not contradict the National Test Certificate. Translations of the National Test Certificate must contain the reference "This is a translation of the original German version and has not been checked by Labor für Stahl- und Leichtmetallbau GmbH." or a similar wording to that effect.

I. Special Provisions

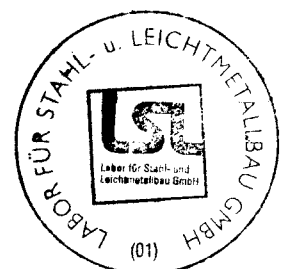
1 Subject and Field of Application

1.1 Subject

The subject of the National Test Certificate is the LINEAR LINE post-and-railing system distributed by Q-railing Europe GmbH & Co. KG in conformance to Construction Products List A Part 3 – Edition 2014/1.

1.2 Field of Application

The above-designated subject is employed in conformance to **Category C1** of the technical rules for the use of safety barrier glazing (TRAV).



2 Requirements Set for the Type of Construction

2.1 Description of the Design

2.1.1 Supports

Each glass pane is fastened to the posts by means of 4 clamps. All system components of relevance to the glass-pane fastening are shown in Annexes 3 to 11.

There are no requirements with respect to the hand rail section that is used; all that is necessary is for it to be able to bear the planned capping loads.

The posts are fixed in the reinforced concrete with chemical anchors from Q-railing (Q VMZ-IG M12) or fastened to steel structures with M10 screws.

2.1.2 Glazing

The following glass structures are possible:

Single-pane tempered safety glass structure (ESG):

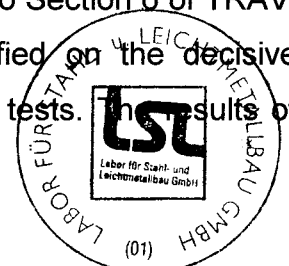
	Structure 1	Structure 2	Structure 3
Single-pane tempered safety glass (ESG)	4.00 mm	5.00 mm	6.00 mm
Polyvinyl butyral film (PVB film) at least	0.76 mm	0.76 mm	0.76 mm
Single-pane tempered safety glass (ESG)	4.00 mm	5.00 mm	6.00 mm
Total glass thickness approx.	8.8 mm	10.8 mm	12.8 mm

Only glass products which conform to Construction Products List A Part 1 or those with the „abZ“ national technical approval for use in conformance to the TRAV technical rules may be used. It is also possible to use ESG-H (heat-soaked thermally toughened safety glass) instead of ESG (single-pane tempered safety glass).

The glass quality must be confirmed by the manufacturer or supplier by means of factory certificates or declarations of conformity.

2.2 Applicable Test Procedures

The safety barrier function of the glazing was tested in conformance to Section 6 of TRAV. The bearing capacity of loads under impact conditions was verified on the decisive dimensions of the described glazing by means of pendulum impact tests. The results of the tests are recorded in Test Report 2014-3039.



2.3 Use, Maintenance and Repair

The construction must be fitted and secured by means of measures suitable for ensuring that it will permanently meet the requirements set with respect to fall prevention. The relevant technical construction regulations must be adhered to when certifying that the glass structures have been securely anchored to the building.

3 Field of Application and Dimensioning Provisions

3.1 Field of Application

The National Test Certificate applies to the type of construction described under Point 2. The glass panes have a safety barrier function in conformance to Category C1. The permissible dimensions are given in the following tables.

Table 1: Dimensional limits

Glass-pane width b [mm]		Glass-pane height h [mm]	
min	max	min	max
500	2,000	800	1,100

4 Certificate of Conformity

4.1 General Points

Under Construction Products List A, Part 3 the type of construction specified in this National Test Certificate requires a certificate of conformity from the user (contractor). In this certificate of conformity, the contractor declares to the customer that the type of construction produced agrees in all details with this National Test Certificate.

4.2 Production Control

Production control must be set up and conducted at each site where the respective type of construction is used. Production control is understood to mean the contractor's continuous monitoring of production to ensure that the type of construction that is manufactured conforms to the provisions in this National Test Certificate.

The production control must cover the description and inspection of the raw materials and the constituent parts.

The results of the production control must be recorded and evaluated. The records must contain the following details at least:



- designation of the type of construction with a description of the constituent parts
- date of manufacture and inspection of the type of construction
- results of the inspection and comparison with the requirements
- signature by the person responsible for production control

The records must be kept for at least five years and submitted to the appropriate highest construction supervision authority on demand.

5 Other Applicable Provisions

The provisions of TRAV (technical rules for the utilisation of safety barrier glazing) - as amended in January 2003 - must be observed when producing the constructions. Please refer also to the following standards and information leaflets:

- [a] Construction Products Lists A, B and C; edition 2014/1
- [b] TRLV (Technical rules for the use of glazing with linear supports), version 2006-08
- [c] DIN EN 12600; Glass in building - pendulum test - impact test method and classification of flat glass, version 2003-04
- [d] DIN EN 14449; Glass in building - laminated glass and laminated safety glass, 2005-07 version
- [e] DIN 572, Parts 1-2; Glass in building - Basic soda lime silicate glass products, version 2004-09
- [f] DIN 12150, Part 1; Glass in building - thermally toughened soda lime silicate safety glass, version 2000-11
- [g] DIN 18008 Part 1-2; Glass in building – design and construction rules, version 2010-12
- [h] Test report 2014-3032; Pendulum impact tests in conformance to the technical rules for the use of safety-barrier glazing (TRAV) from Labor für Stahl and Leichtmetallbau GmbH



II. Legal Basis

This National Test Certificate is issued on the basis of Sections 17 and 19 of the Bavarian Building Regulations (BayBO) of 14 August 2007 in conjunction with Construction Products List A.

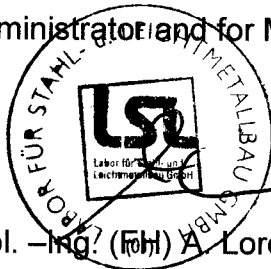
Under Section 25 Sub-section 2 of the MBO (Model Building Code) in conjunction with Section 23 Sub-section 2 of BayBO (Bavarian Building Regulations) of 14 August 2007 a National Test certificate issued in any constituent state is valid for all constituent states in the Federal Republic of Germany.

III. Instructions about Available Legal Remedies

An appeal may be filed against this National Test certificate within one month of notification. The appeal must be made in writing or declared at Labor für Stahl- und Leichtmetallbau GmbH for recording.

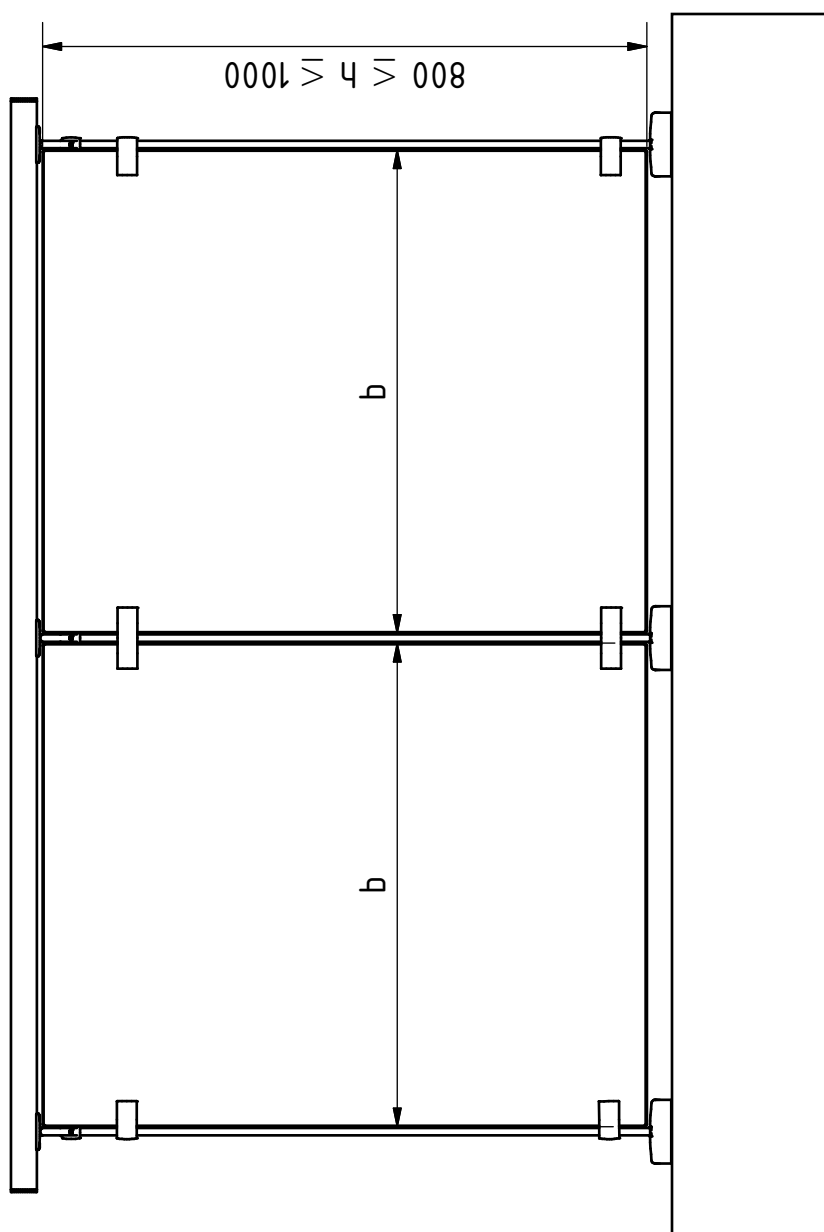
Munich, 22 July 2014

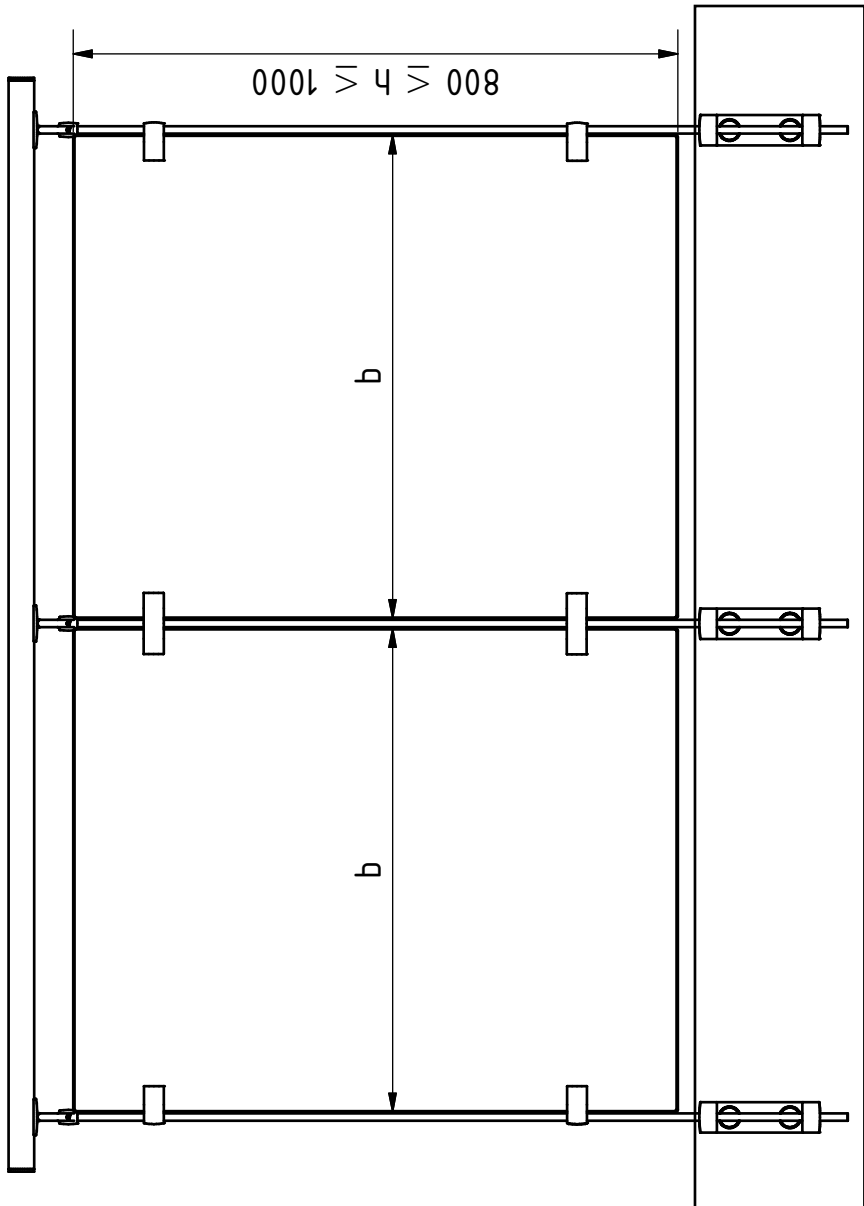
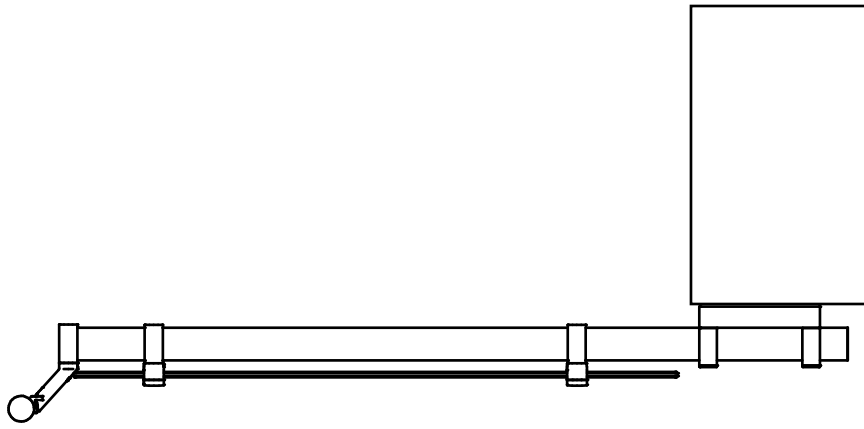
Administrator and for Management

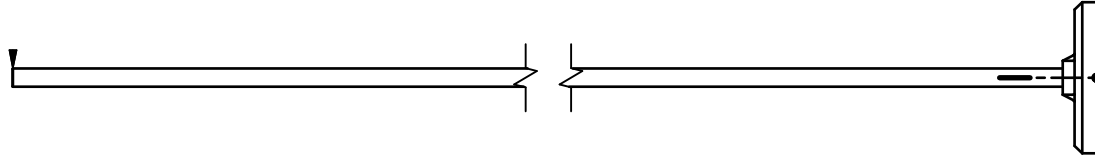


Dipl.-Ing. (FH) A. Lorenz

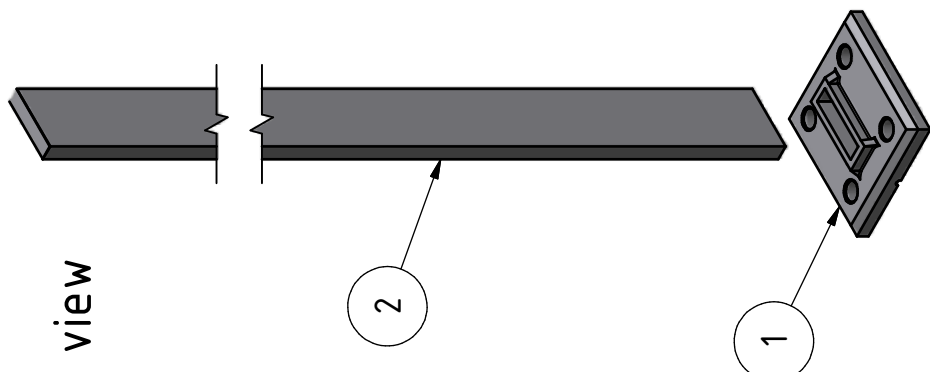
(Deputy Manager of the Testing, Inspection and Certification Body)







3D view



annex 3

PARTS LIST

ITEM	QTY	PART NUMBER	REV.	DESCRIPTION
1	1	14.350305400	1	flange topmount
2	1	14.375005412	0	post 1000mm

Q-railing Scale: 1 : 5 Weight: 6055 g Rev.No.: 1

Material:
Finish:

Product line: flat post system

Description: Post, top

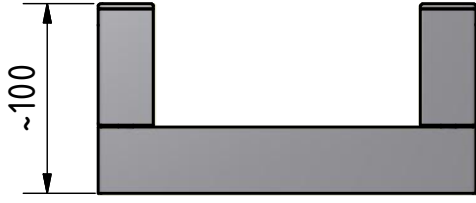
Drawing no.: 14054705412
Sheet: 1 / 1
A4

THIS DRAWING IS PROPERTY OF Q-RAILING EUROPE GmbH & Co. KG. It is not to be reproduced, copied, or disseminated to any third party, either whole or partly, unless granted. It is not permitted to alter this drawing unauthorised, in any way.

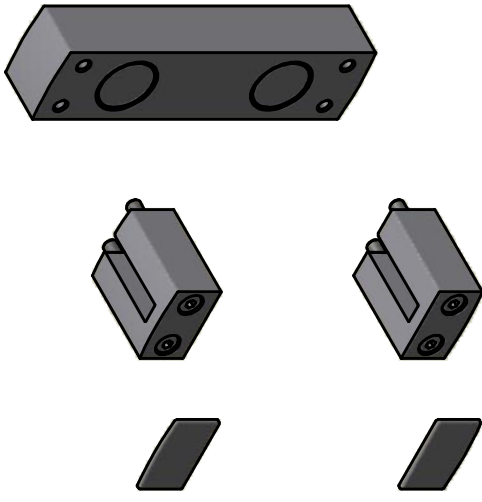
Date	Name
16.07.2013	LBR
19.08.2013	MBT

General tolerance according
DIN ISO 2768 - mK

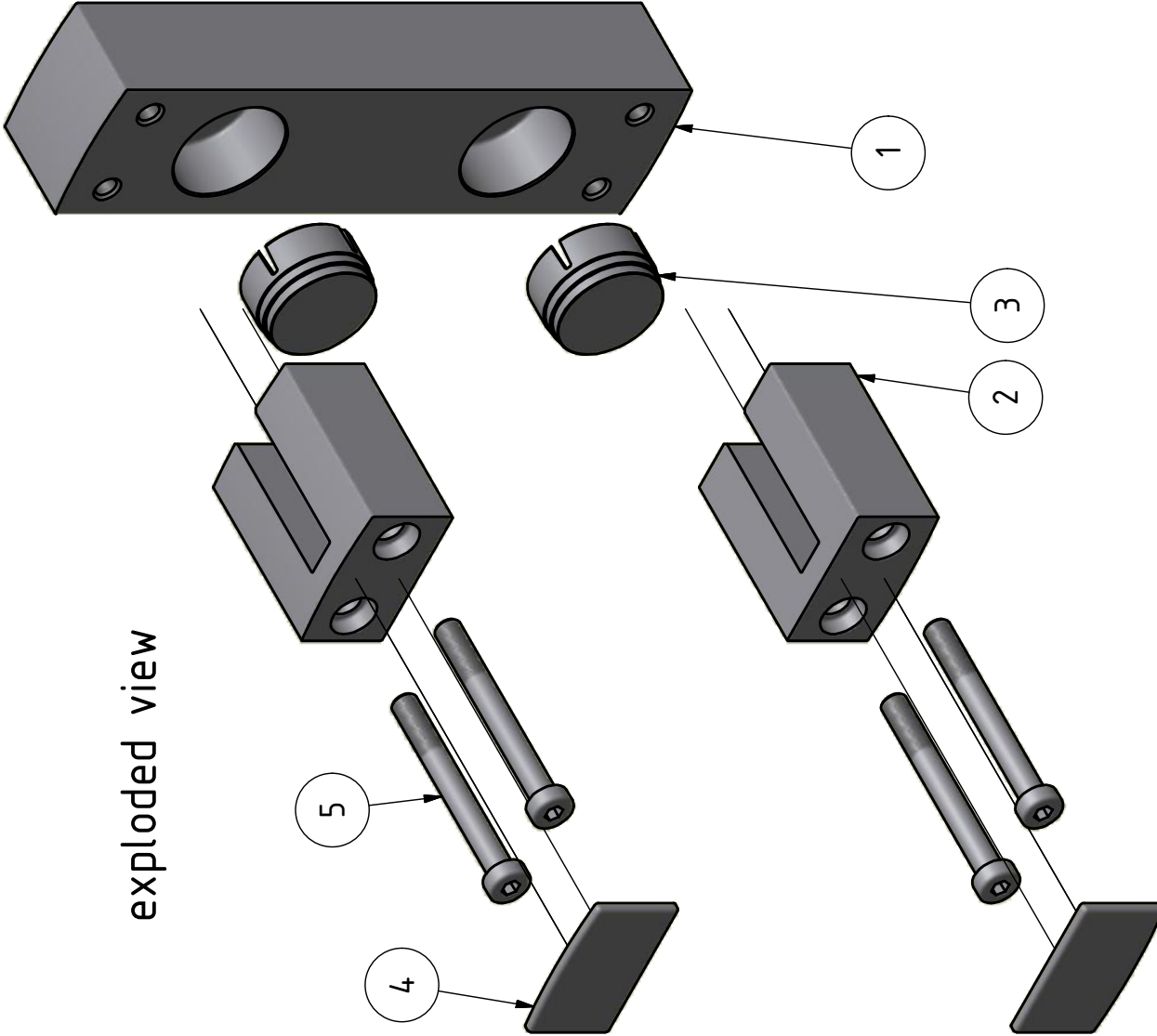
assembly view



packed as:



exploded view



THIS DRAWING IS PROPERTY OF Q-RAILING EUROPE GmbH & Co. KG. It is not permitted to reproduce, copy, disseminate, or use the drawing in whole or in part, either wholly or partly, unless approved. It is not permitted to alter this drawing unauthorised, in any way.

Drawn	Date	Name
TRR	29/07/2013	TRR
Checked	Date	Name
MYN	16/04/2014	MYN

Scale: 1 : 2 | Weight: 2575 g | Rev.No.: 6

Material:

Finish:

Product line:

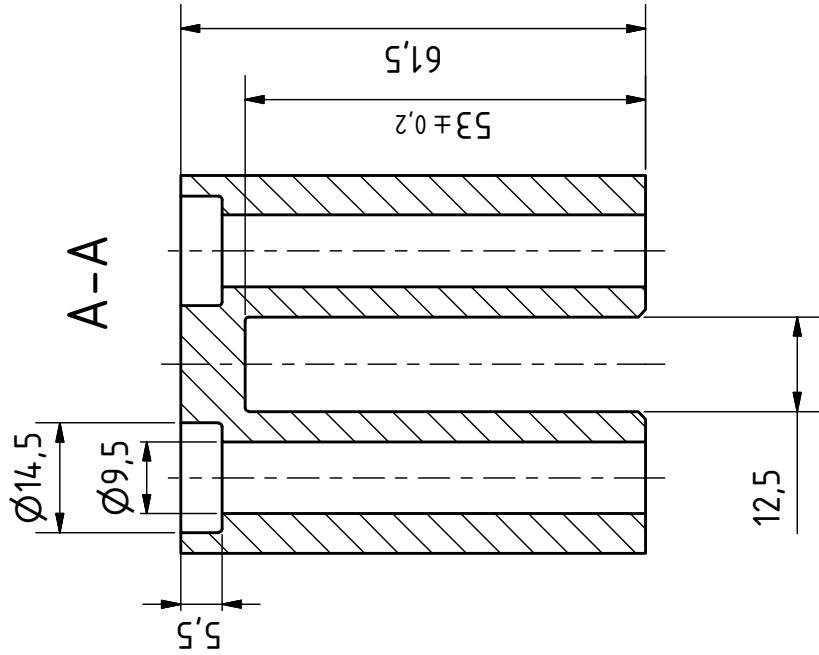
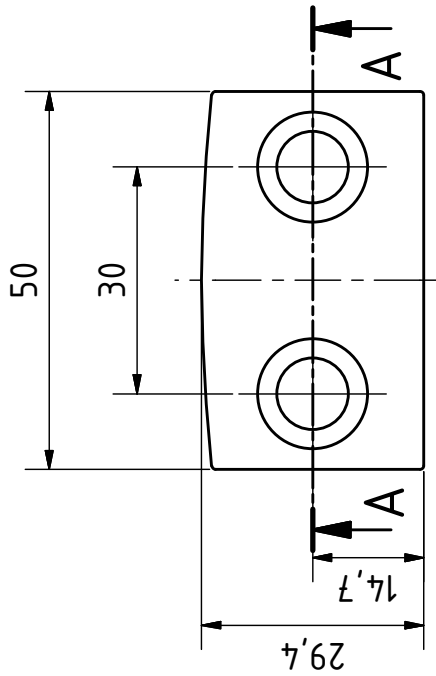
Linear line

Description:
fascia flange

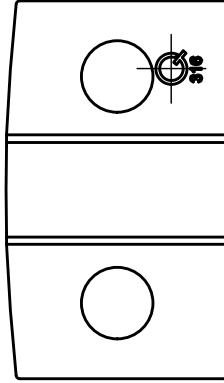
Drawing no.:

14902205112

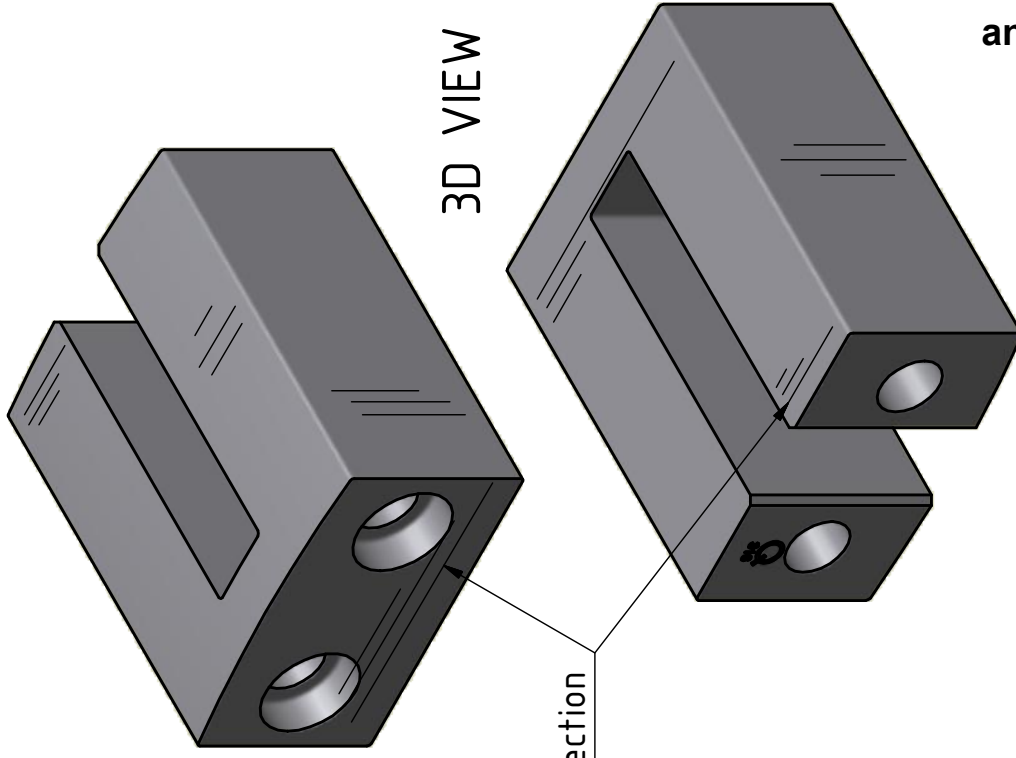
Sheet:
1 / 1
A4



B



satin direction



annex 5



THIS DRAWING IS PROPERTY OF Q-RAILING EUROPE GmbH & Co. KG. It is not permitted to reproduce, copy, disseminate, or use the drawing or its parts, either whole or partly, unless approved. It is not permitted to alter this drawing unauthorised, in any way.

Date	Name
29/07/2013	TRR
14/04/2014	MYN

General tolerance according
VDG P690-D1

Scale: 1 : 1 | Weight: 469 g | Rev.No.: 4

Material: Stainless steel AISI 316

Finish: According sample no.12 (aprox. satin grain 320)

Product line:

Linear line

Description:
fascia flange clamp

Drawing no.:

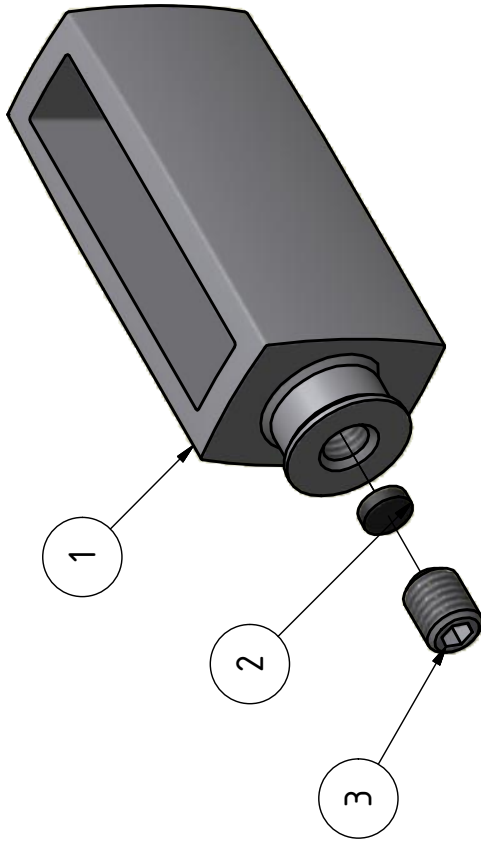
14350705412

Sheet:
1 / 1
A4

assembly view



exploded view



annex 6

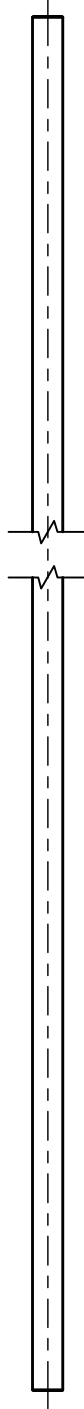
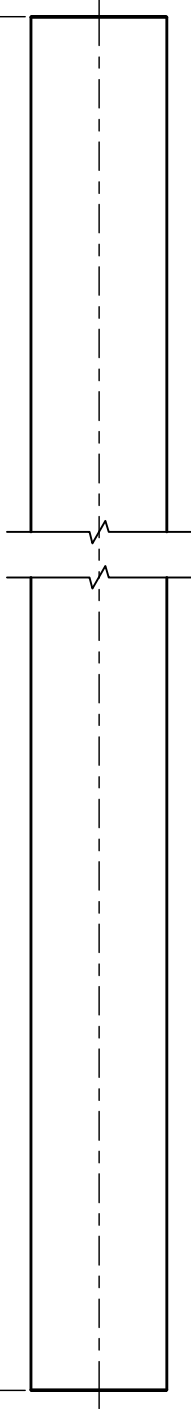
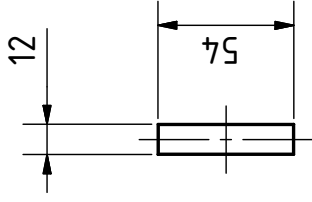


THIS DRAWING IS PROPERTY OF Q-RAILING EUROPE GmbH & Co. KG
It is not permitted to reproduce, copy, disseminate, or use the drawing or parts, either whole or partly, unless granted. It is not permitted to alter this drawing unauthorised, in any way.

Date	Name
01.08.2013	TRR
25.06.2014	TRR

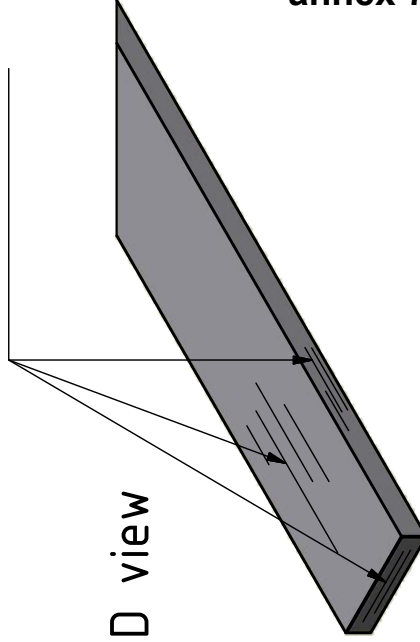
Scale: 1 : 1	Weight: 188 g		Rev.No.: 3
Material:		Product line: flat post system	
Finish:		Description: Adapter variable position	
Drawing no.:		14077500212	
Sheet:		1 / 1	
		A4	

1000/1300



satin direction

3D view



annex 7



THIS DRAWING IS PROPERTY OF Q-RAILING EUROPE GmbH & Co. KG
 It is not permitted to reproduce, copy, disseminate, or use the drawing
 in whole or in part, unless granted. It is not permitted to
 alter this drawing unauthorised, in any way.

Date	Name
12/07/2013	LBR
05/08/2013	FVY

General tolerance according
 DIN ISO 2768 - mK

Scale: 1 : 3 | Weight: 6613 g | Rev.No.: 0

Material: Stainless steel AISI 316

Finish: According sample nr.12 (approx. satin grain 320)

Product line: flat post system

Description: post 1300mm

Drawing no.:

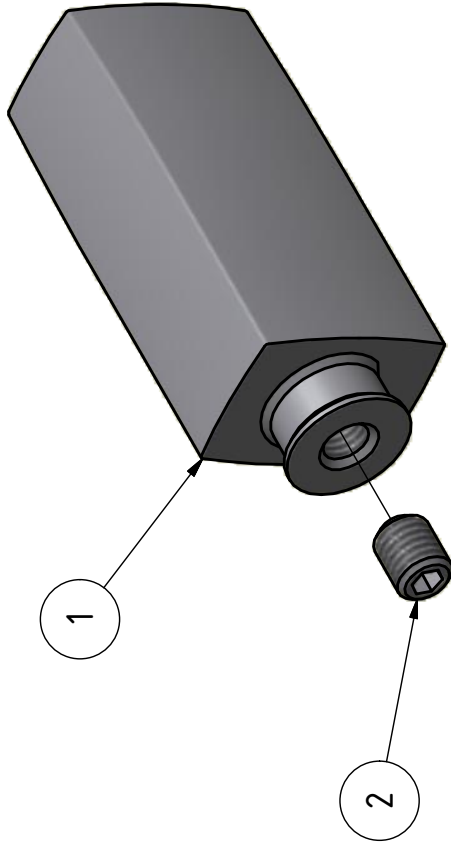
14054805412

Sheet: 1 / 1
 A4

assembly view



exploded view



annex 8



THIS DRAWING IS PROPERTY OF Q-RAILING EUROPE GmbH & Co. KG. All rights reserved. It is not permitted to reproduce, copy, or disseminate this drawing or its parts, either whole or partly, unless granted. It is not permitted to alter this drawing unauthorised, in any way.

	Date	Name
Drawn	01.08.2013	TRR
Checked	25.06.2014	TRR

General tolerance according
DIN ISO 2768 - mK

Scale: 1 : 1 | Weight: 212 g



Rev.No.: 1

Material:

Finish:

Product line: flat post system

Description: Adapter Top

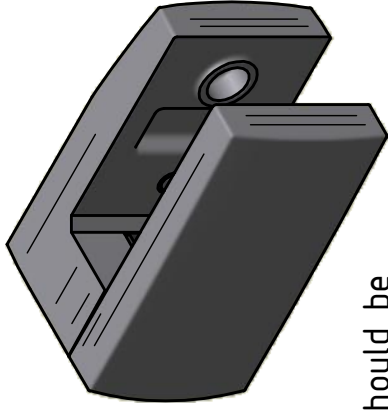
Drawing no.:

14077500112

Sheet:

1 / 1
A4

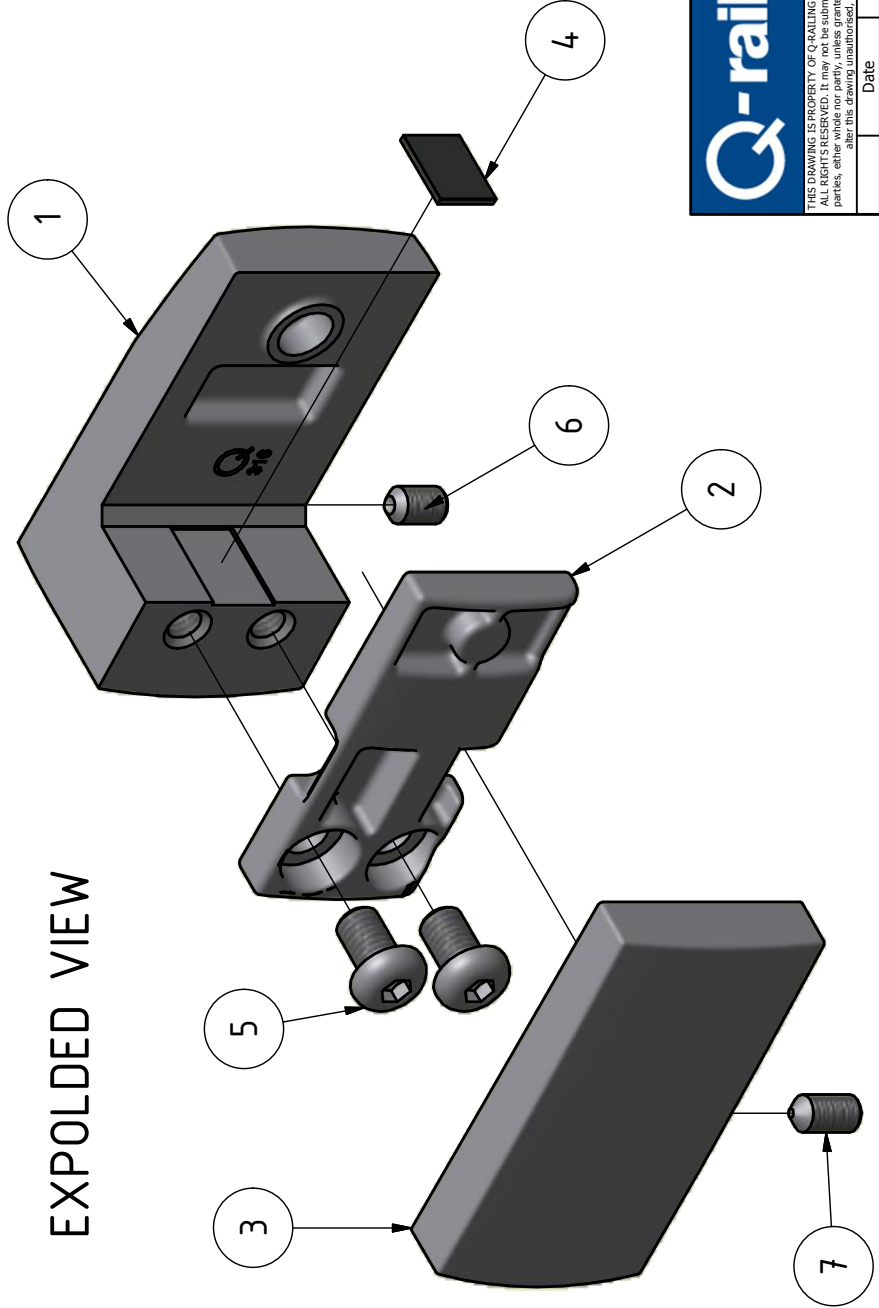
ASSEMBLED VIEW



parts should be
satined together



annex 9



EXPLODED VIEW

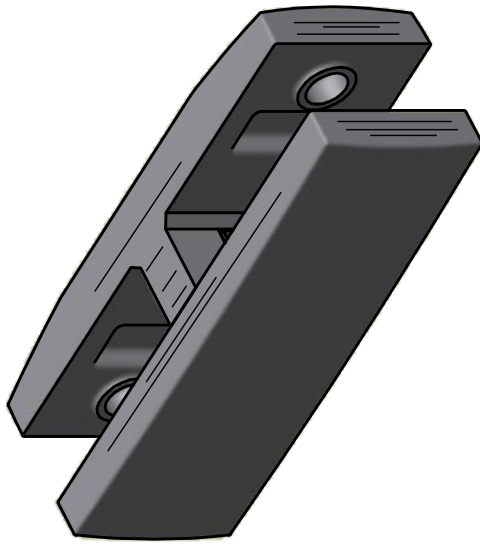


THIS DRAWING IS PROPERTY OF Q-RAILING EUROPE GmbH & Co. KG. All rights reserved. Reproduction, distribution, or use of this drawing without the written permission of Q-railing Europe GmbH & Co. KG is prohibited. It is not permitted to alter this drawing unauthorised, in any way.

Date	Name
25/07/2013	TRR
24/06/2014	MVN

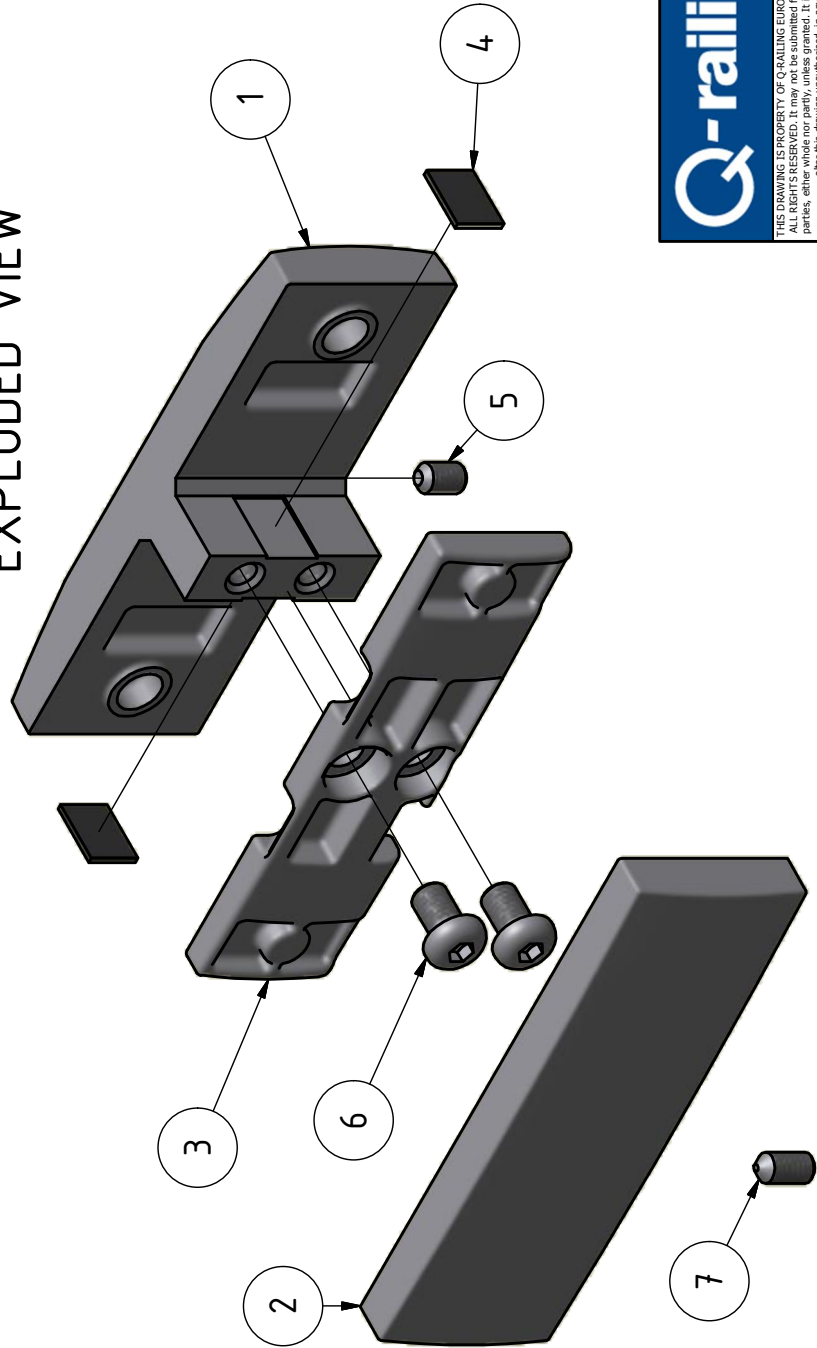
Scale: 1 : 1	Weight: N/A		Rev.No.: 6
Material:		Product line: linear line	
Finish:		Description: spider 1-arm left	
Drawing no.:		14290000212	
Sheet:		1 / 1	
		A4	

ASSEMBLED VIEW



annex 10

EXPLODED VIEW



THIS DRAWING IS PROPERTY OF Q-RAILING EUROPE GmbH & Co. KG. All rights reserved. Reproduction, distribution, or use of any part of this drawing without the written permission of Q-railing Europe GmbH & Co. KG is strictly prohibited. It is not permitted to alter this drawing unauthorised, in any way.

Date	Name
22/07/2013	TRR
25/06/2014	MYN

Scale: 1:1,3 | Weight: 440 g | Rev.No.: 6

Material:

Finish:

Product line:

linear line

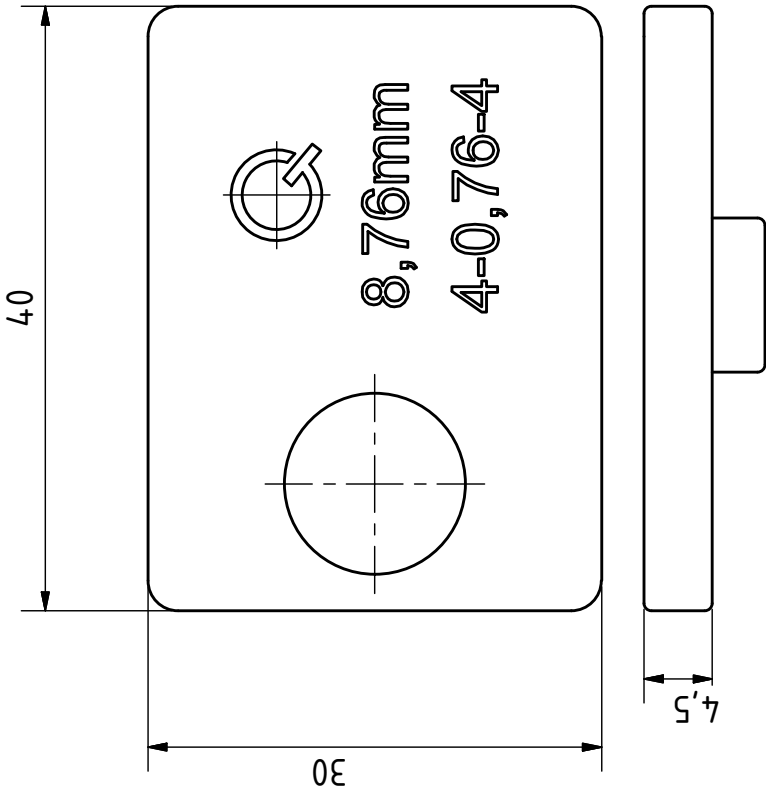
Description:

Spider 2-arms

Drawing no.:

1429000012

Sheet: 1 / 1
A4



annex 11



THIS DRAWING IS PROPERTY OF Q-RAILING EUROPE GmbH & Co. KG. It is not permitted to reproduce, copy, disseminate, or use the drawing or its parts, either whole or partly, unless granted. It is not permitted to alter this drawing unauthorised, in any way.

Date	Name
19.07.2013	TRR
04.12.2013	TRR

General tolerance according
DIN ISO 3302-1 M3

Scale: 2:1	Weight: 6 g		Rev.No.: 1
Material: EPDM 80° ±5 shore A			
Finish: Black			
Product line: Accessories			
Description: rubber 8,76mm			
Drawing no.: 19501300900			Sheet: 1 / 1
			A4

GOOD LUCK WITH
YOUR INSTALLATION!

VIEL ERFOLG MIT
IHRER MONTAGE!

SUCCES MET
DE INSTALLATIE!